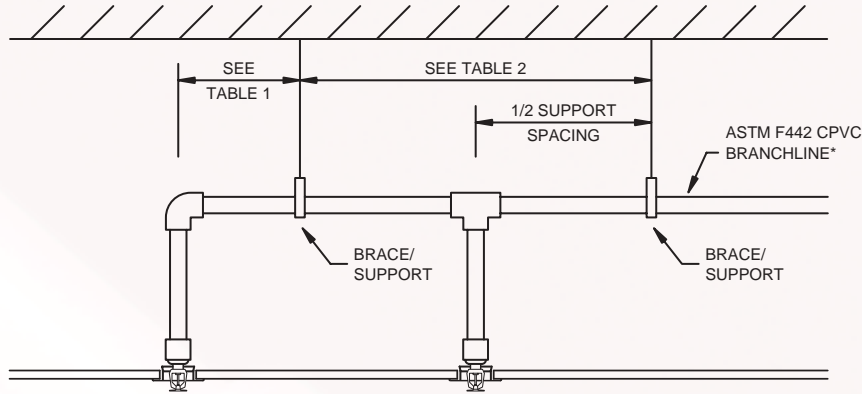




Pipe Hanger Spacing

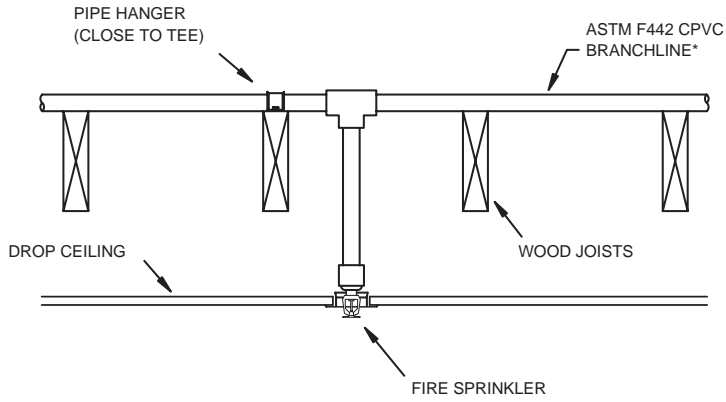


*NSF INTERNATIONAL APPROVED FOR USE WITH POTABLE WATER

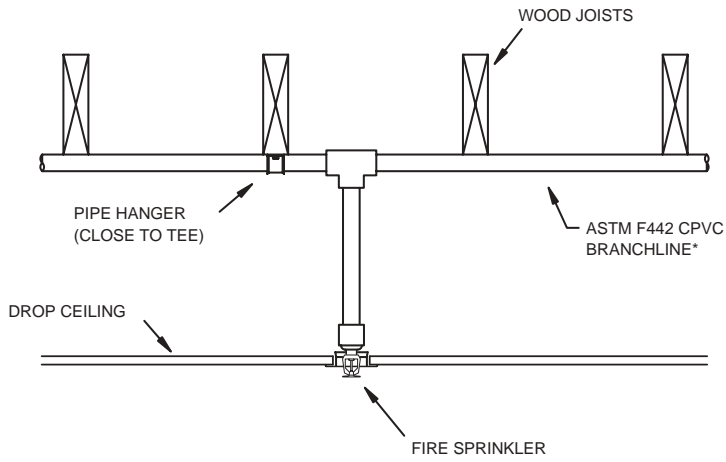
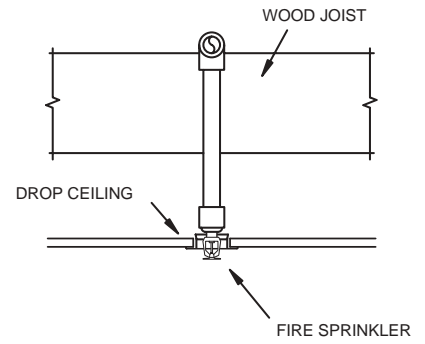
Table 1 Maximum Support Spacing Distance End Line Sprinkler Head Drop Elbow		
Pipe Size inches	System Pressure	
	<100 psi	>100 psi
3/4"	9"	6"
1"	12"	9"
1-1/4"	16"	12"
1-1/2" – 3"	24"	12"

Table 2 Maximum Support Spacing Distance Inline Sprinkler Head Drop Tee		
Pipe Size inches	System Pressure	
	<100 psi	>100 psi
3/4"	4'	3'
1"	5'	4'
1-1/4"	6'	5'
1-1/2" – 3"	7'	7'

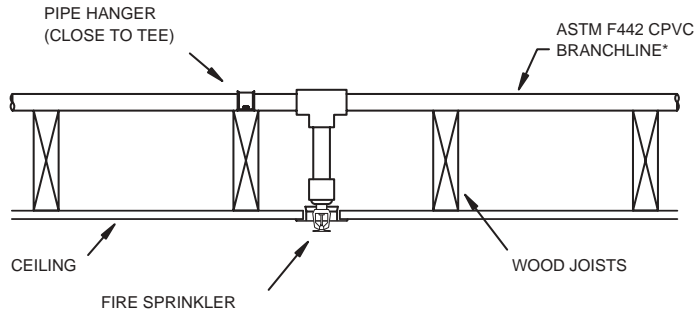
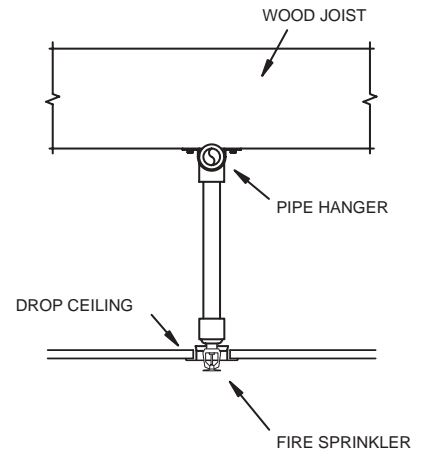
BlazeMaster Pipe SDR 13.5 (ASTM F442) Hanger Spacing			
Nominal Size inches	Nominal Size (mm)	Max Spacing	
		feet	(m)
3/4"	(20.0)	5.5'	(1.7)
1"	(25.0)	6.0'	(1.8)
1-1/4"	(32.0)	6.5'	(2.0)
1-1/2"	(40.0)	7.0'	(2.1)
2"	(50.0)	8.0'	(2.4)
2-1/2"	(65.0)	9.0'	(2.7)
3"	(80.0)	10.0'	(3.0)



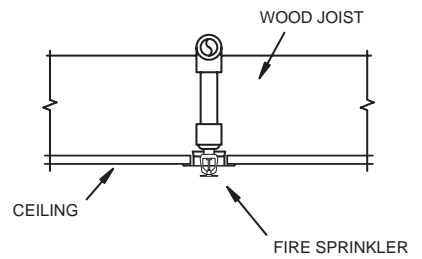
*NSF INTERNATIONAL APPROVED FOR USE WITH POTABLE WATER

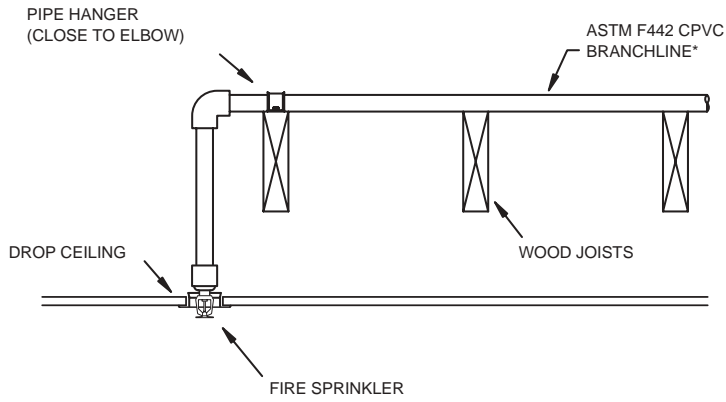


*NSF INTERNATIONAL APPROVED FOR USE WITH POTABLE WATER

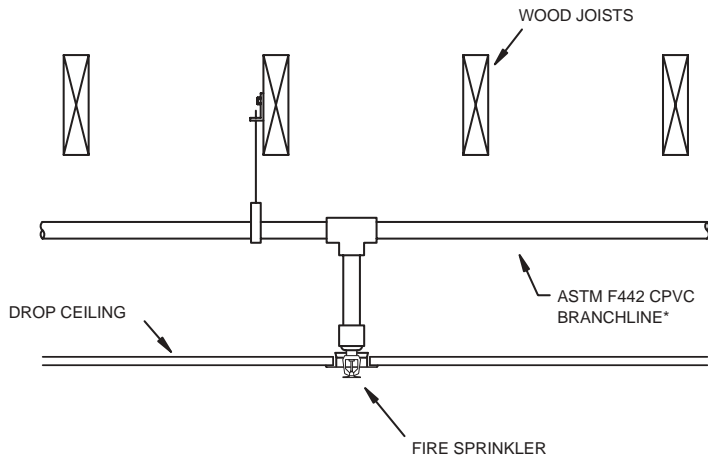
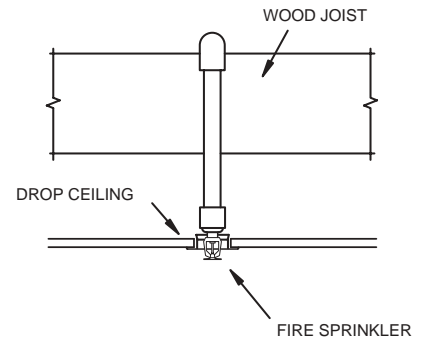


*NSF INTERNATIONAL APPROVED FOR USE WITH POTABLE WATER

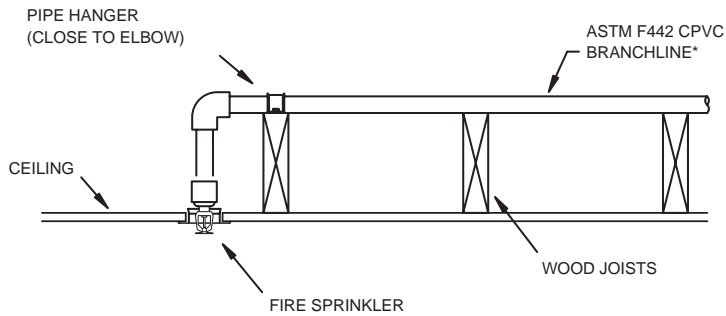
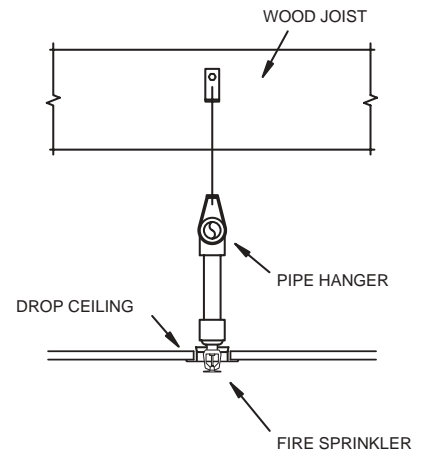




*NSF INTERNATIONAL APPROVED FOR USE WITH POTABLE WATER



*NSF INTERNATIONAL APPROVED FOR USE WITH POTABLE WATER



*NSF INTERNATIONAL APPROVED FOR USE WITH POTABLE WATER

